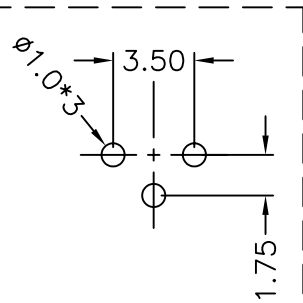
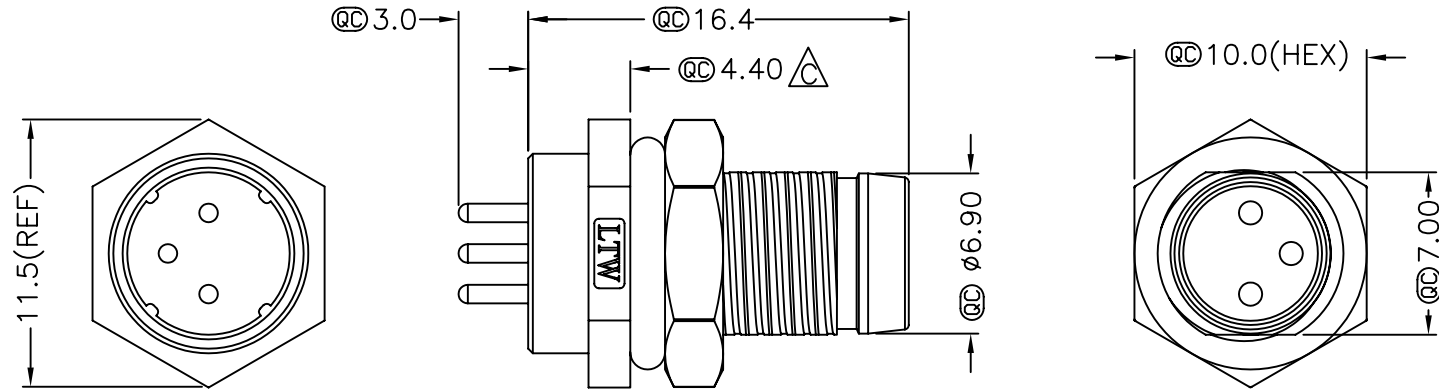
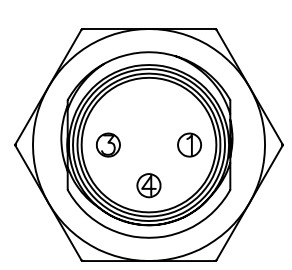


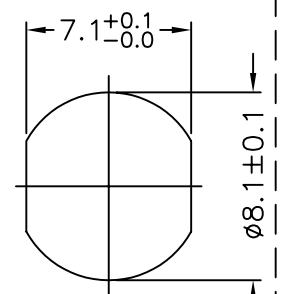
REV.	ECN NO.	DATE	SIGN.	DESCRIPTION
B	LEN-7A0172	2007/09/29	Myrdal	Added Note
C	LEN-910178	2009/01/07	Ivan Lin	Change rev. to ECN note



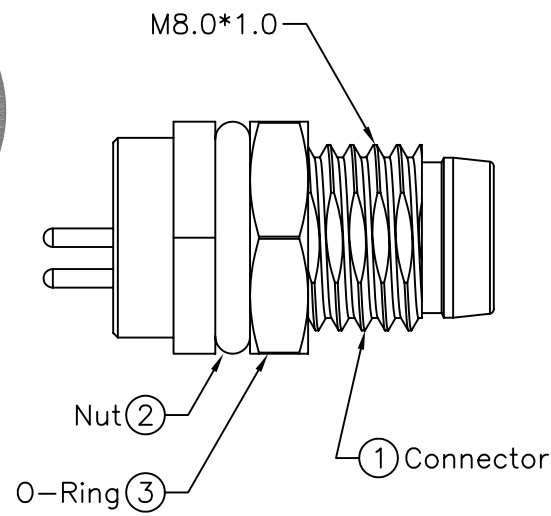
3 Pin Male Connector  
Male Pin PCB Layout



Pin Assignments  
Front View



Recommended  
Panel Cut-Out



Note:

- \* QC Important Dimension.
- \* Waterproof Rate: IP67
- \* Housing: Black, Nylon+GF
- \* Male Pin: Copper Alloy, Gold Plated
- \* Shield: Zinc Alloy, Nickel Plated
- \* Nut: Copper Alloy, Nickel Plated
- \* O-Ring: Black, EPDM
- \* For Panel Thickness Max 3.0mm
- \* Nut Torque: 4-6 kgf.cm

UNIT:mm	
TOLERANCE	
.X	±0.25
.XX	±0.1
.XXX	±0.05
ANGLES	±1'

TITLE	M8 Conn Panel Screw 3P M Conn M Pin	
SCALE	Free	SHEET 1 OF 1
REV. C	SIZE A4	QC : Inspection Item

**LTW**  
亮泰企業股份有限公司

ITEM NO	LTW8-03PMMP-SF7001
DWG NO	LTW8-03PMMP-SF7001
CUSTOMER	

DRAWN BY	Ivan Lin
CHECKED BY	Tommy Hom
APPROVED BY	Luke Chang

DATE	2009/01/06
DATE	2009/01/06
DATE	2009/01/06

THIS DOCUMENT IS SUBJECT TO CHANGE WITHOUT NOTICE. IT IS CONFIDENTIAL AND A PROPERTY OF LTW. DISCLOSURE TO THIRD PARTY HAS TO BE AUTHORIZED BY LTW.