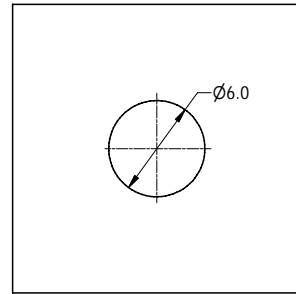
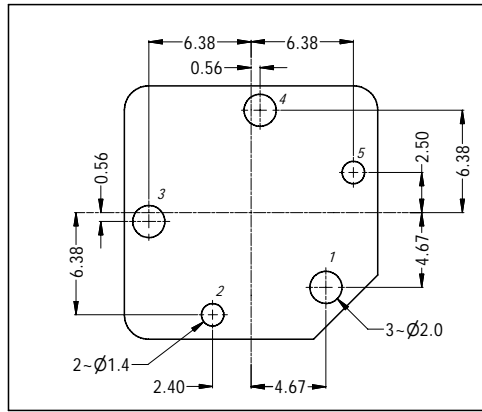
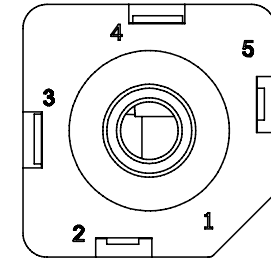
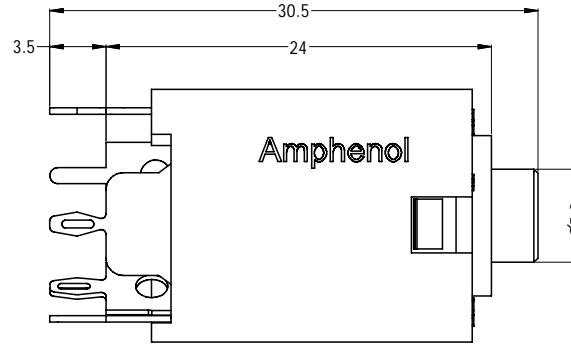
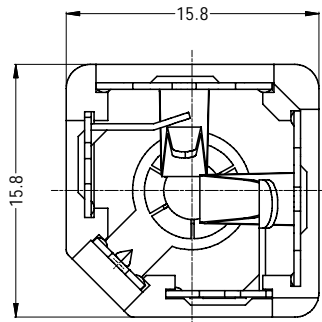


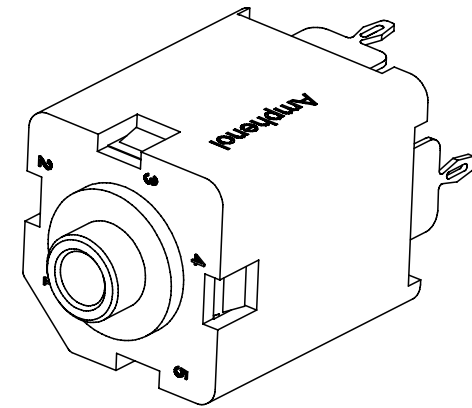
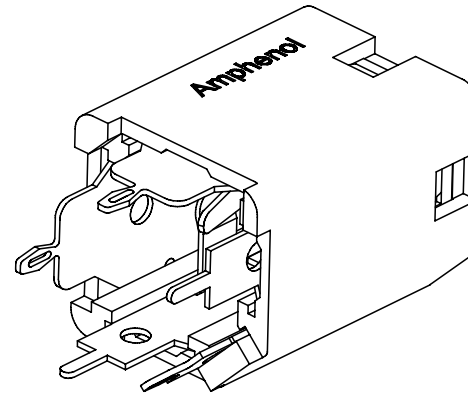
LEGEND \diamond = KEY PRODUCT CHARACTERISTICS



REVISION HISTORY				
REV	DESCRIPTION	DATE	BY	CHG/No
0	FIRST ISSUE	30/10/08	M.H	8798



PANEL CUTOUT



PCB LAYOUT
(CONNECTOR SIDE)

PART NUMBER	ACJM-NV35-2	ACJM-NV35-2S	ACJS-NV35-3	ACJS-NV35-3S	ACJS-NV35-5
SCHEMATIC					

UNLESS OTHERWISE SPECIFIED TOLERANCE TO BE:		THIS DOCUMENT IS THE PROPERTY OF AMPHENOL AUSTRALIA PTY. LTD. NO PART THEREOF MAY BE REPRODUCED AND USED WITHOUT THE PRIOR WRITTEN CONSENT OF THE OWNER			Amphenol Amphenol Australia Pty. Ltd., 2 Fiveways Blvd, Keysborough, VIC 3173	
LINEAR	ANGULAR	MATERIAL: REFER TO COMPONENTS	DRN: B.Z	DATE: 25/04/08	TITLE: 3.5mm JACK VERTICAL CUSTOMER DRAWING	
X ±0.5	X° ±1	BREAK ALL SHARP EDGES AND REMOVE ALL BURRS	CKD: M.H	DATE: 29/10/08	PART NO: SEE CHART	
XX ±0.1	XX° ±30	DO NOT SCALE	APP'D: P.M	DATE: 29/10/08	DRAWING NO. 55010544-000-5	
XXX ±0.05	XXX° ±15	FINISH: REFER TO COMPONENTS	SCALE: 3:1	SIZE: A3	SHEET 1/5	
DIMENSIONS IN MILLIMETRES		THIRD ANGLE PROJECTION		CAD FILE: 55010544000110		