

LED Light Bulb Specifications

PRODUCT SPECIFICATION

Model No.: FYA60-3020UW-4W

Product Description:
<p>■ A60 4Watt Power LED Light Bulb</p> 



CUSTOMER APPROVED SIGNATURES	APPROVED BY	CHECKED BY	PREPARED BY

NINGBO FORYARD OPTOELECTRONICS CO.,LTD.

Add:NO.115 Qixin Road Ningbo Zhejiang China

Zip:315051

Tel: 0086-574-87933652 87927870 87922206

Fax: 0086-574-87927917

E-mail:Sales@foryard.com (General)

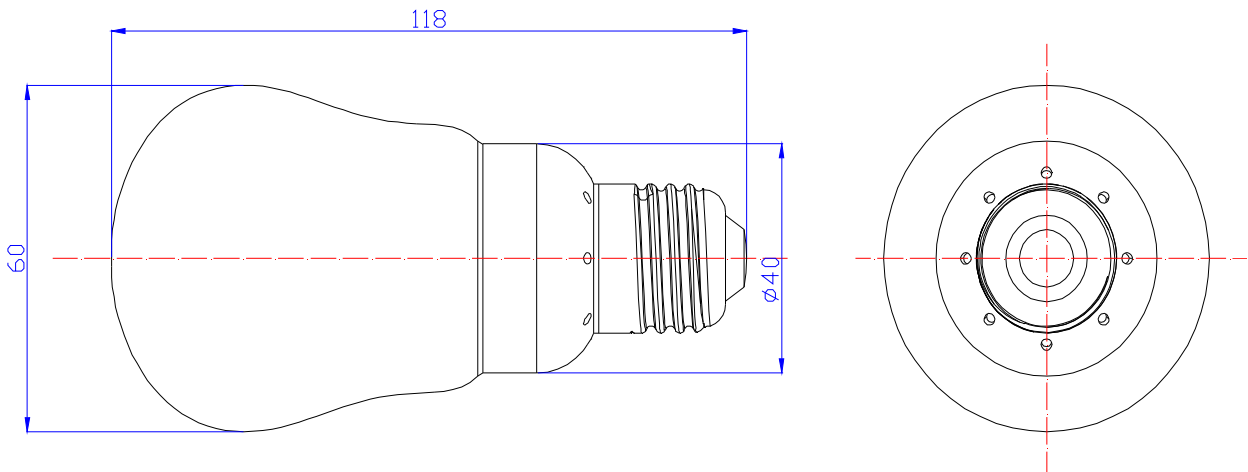
[Http://www.foryard.com](http://www.foryard.com)

Model No.: FYA60-3020UW-4W

■ **Photo**



■ **Drawing (1 meter)**



Notes:

1. All dimensions are millimeters.
2. Tolerance is ± 1 mm unless otherwise specified.
3. Specifications are subject to change without notice.
4. Dimension: L100 \times ϕ 60mm.

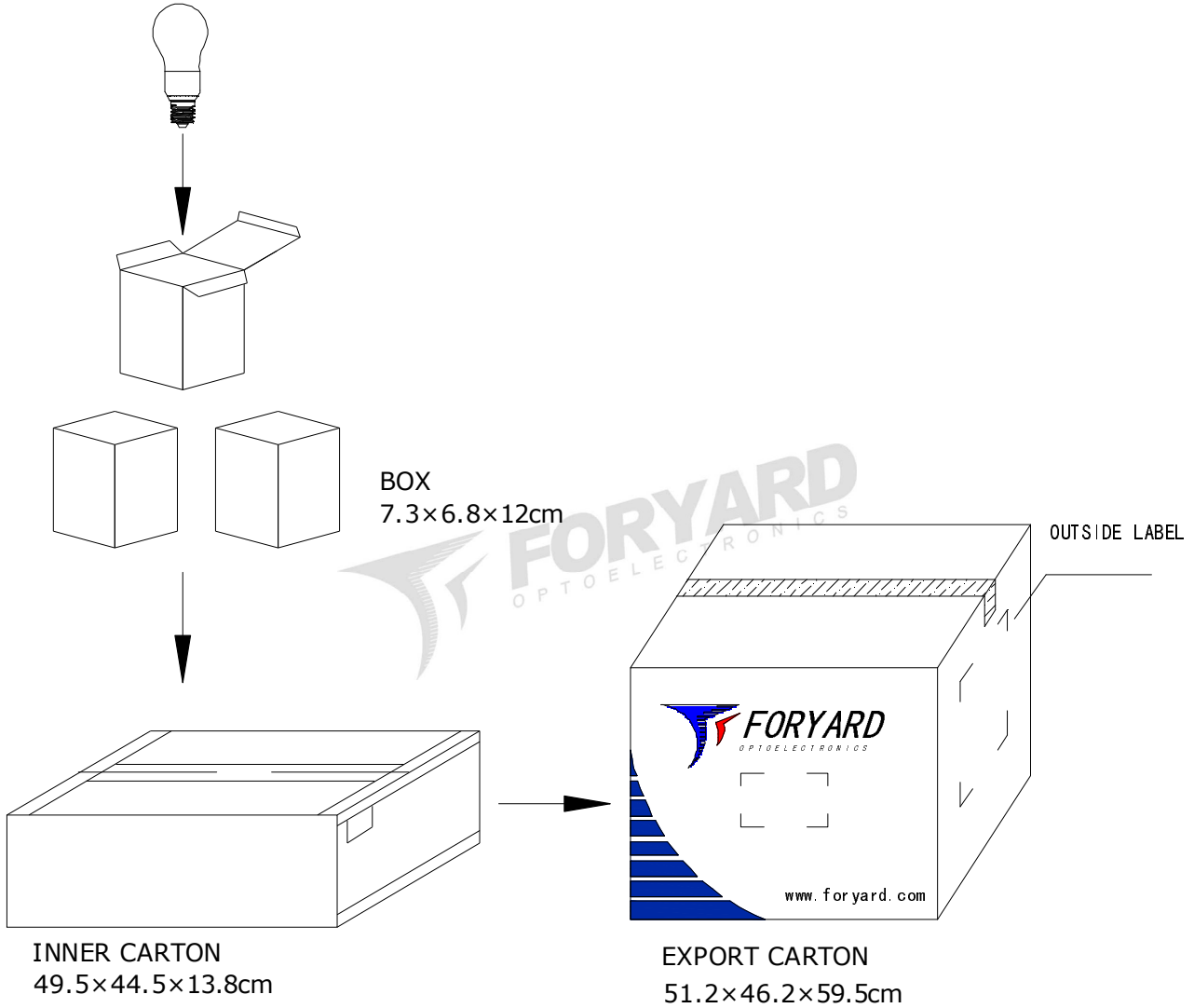
Model No.: FYA60-3020UW-4W

■ Rating Electrical/Optical Characteristics

Item	White
Operation Voltage(AC)	AC100~240V
Power Frequency Range	50~60Hz
Base Type	E26/E27
Power Consumption	4W (Typ)
Correlated Color Temperature(CCT)	5000~5500K
Color Rendering Index(CRI)	≥80
Luminous Flux	290lm
Viewing Angle	270°
Power Factor Correction(PF)	>0.6
Surface Temperature In Operation Condition	<70℃
Operating Temperature Range	-20~+40℃
Working Lift Of LED	≥30,000Hrs
Weight	50g

Model No.: FYA60-3020UW-4W

■ Shipment Package



OUTSIDE LABEL

Notes:

- 1、 Normal packing quantity in box:1PCS
- 2、 The big carton contains 4 small carton, and the small carton contains 30 box maximum